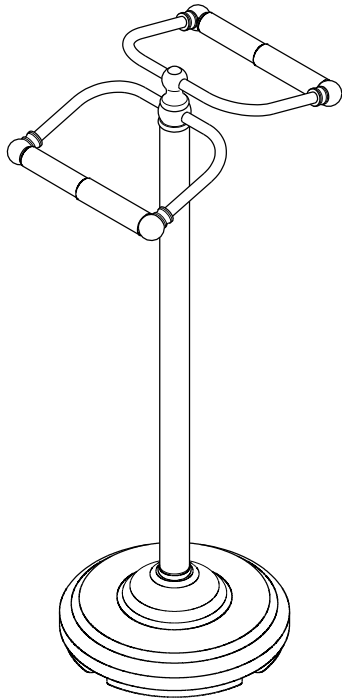


Double Toilet Roll Holder Installation

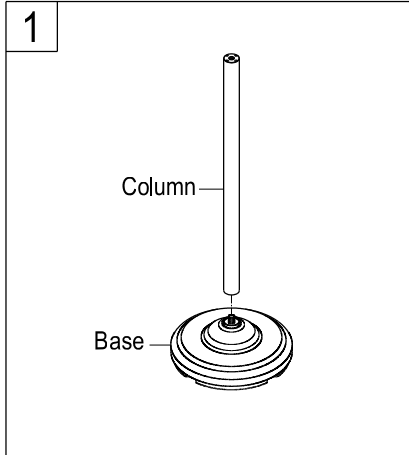


Parts:

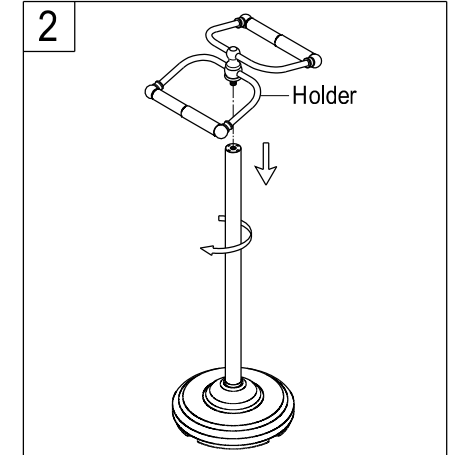
Bolt	Washer & Nut
1 Pc	1 Pc

www.kingstonbrass.com
TOLL-FREE CUSTOMER SERVICE: 1-877-2-KBRASS
TECHNICAL SUPPORT E-mail: service@kingstonbrass.com
12775 Reservoir Street, Chino, CA91710

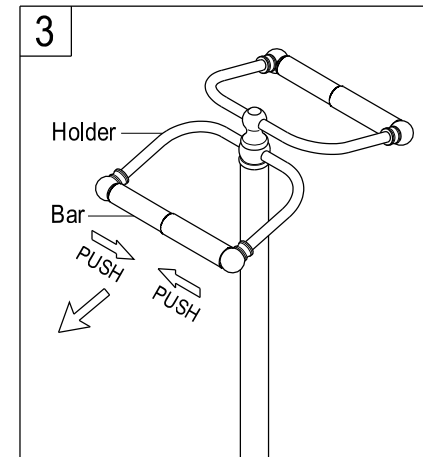
TOOLS REQUIRED



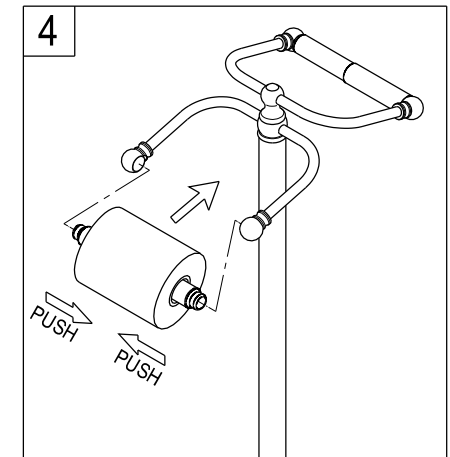
1. Place the base on a level area on the ground. Thread one end of the column onto the base tightly in a clockwise direction.



2. Install paper holder assembly onto the free end of the column tightly in a clockwise direction.



3. Connect the bar by pushing toward center.



4. Slip the toilet paper into bar and attach the bar to paper holder.

Cleaning

Clean with a damp cloth only.
Avoid using metal or abrasive polishes.